



Safety Instructions



0, 1, 4, 6, 7, 8, 11, 15,
16, 17, 19, 22, 25



Info Hotline **+49 (0) 5041 998 389**

Mon. - Do. 7⁰⁰ - 20⁰⁰

Fr. 7⁰⁰ - 17⁰⁰



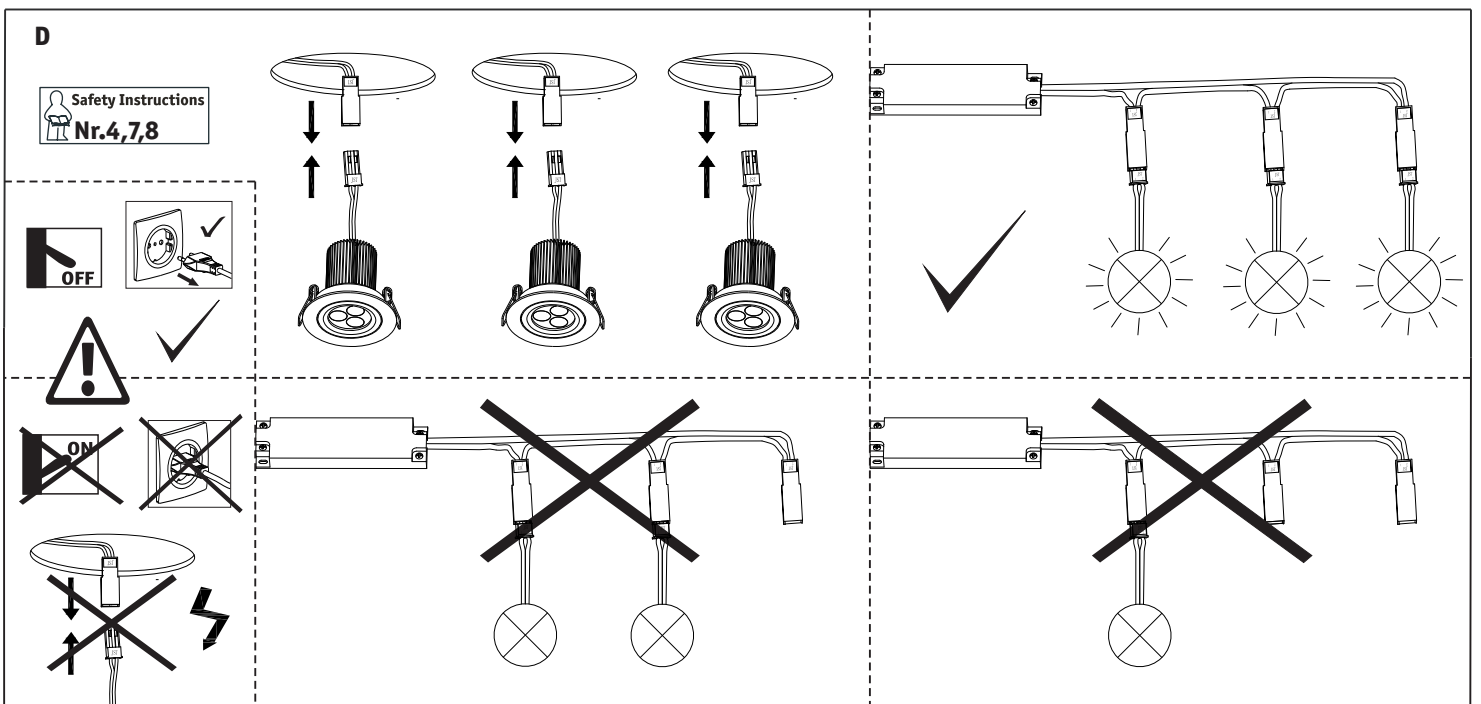
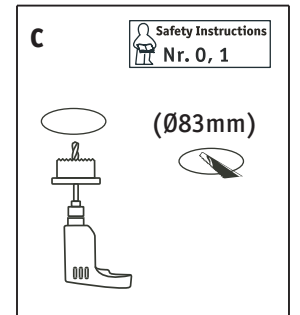
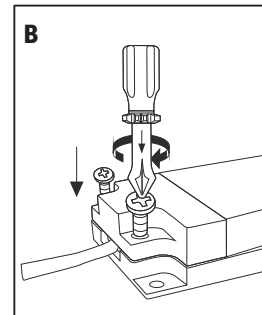
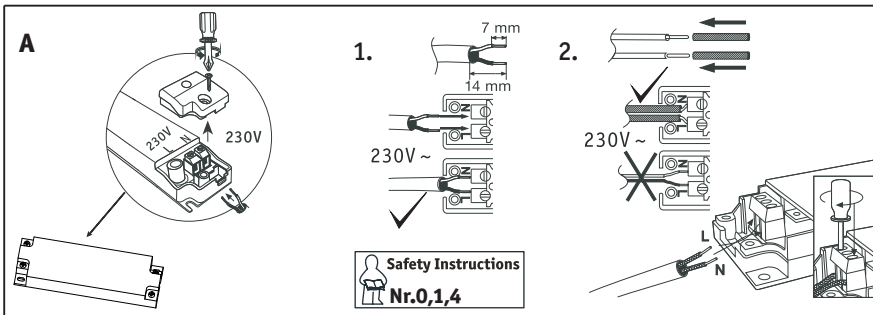
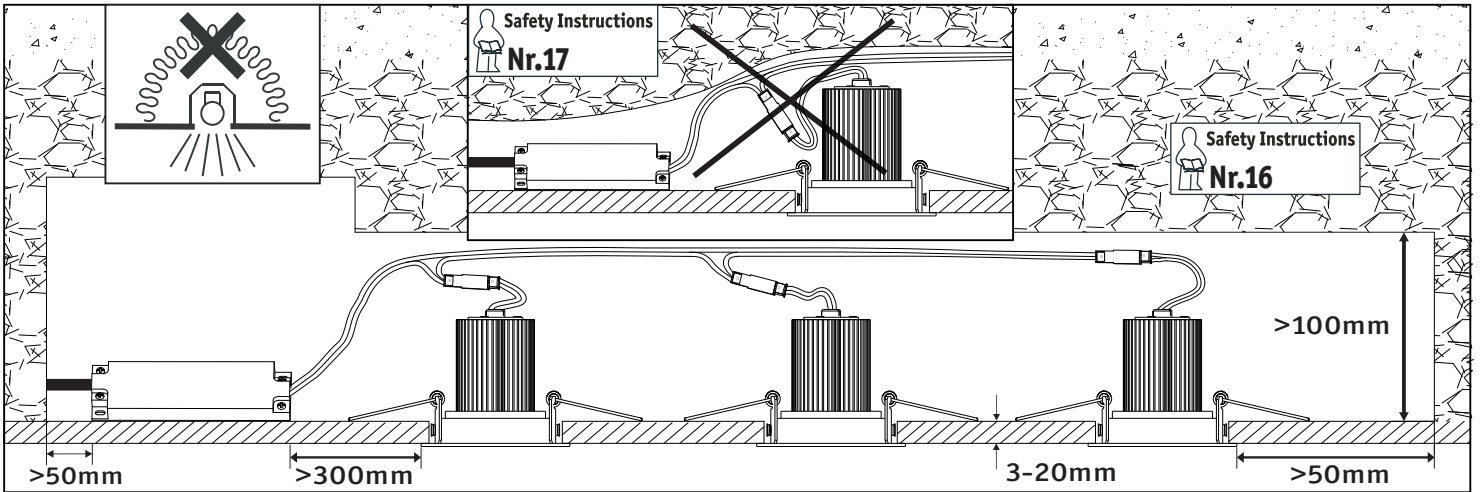
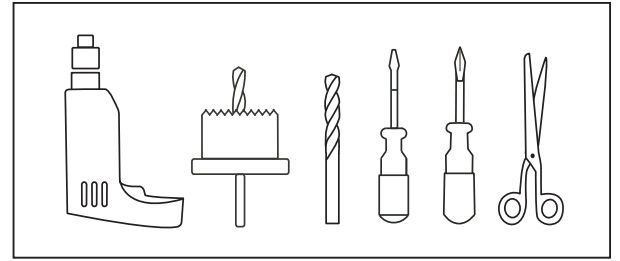
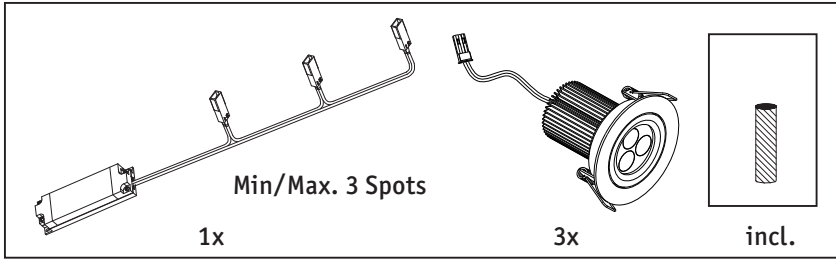
Paulmann Licht GmbH
31832 Springe / Germany
www.paulmann.com

Art.-Nr.:

926.89

(+MA 173)

PKE 04/14



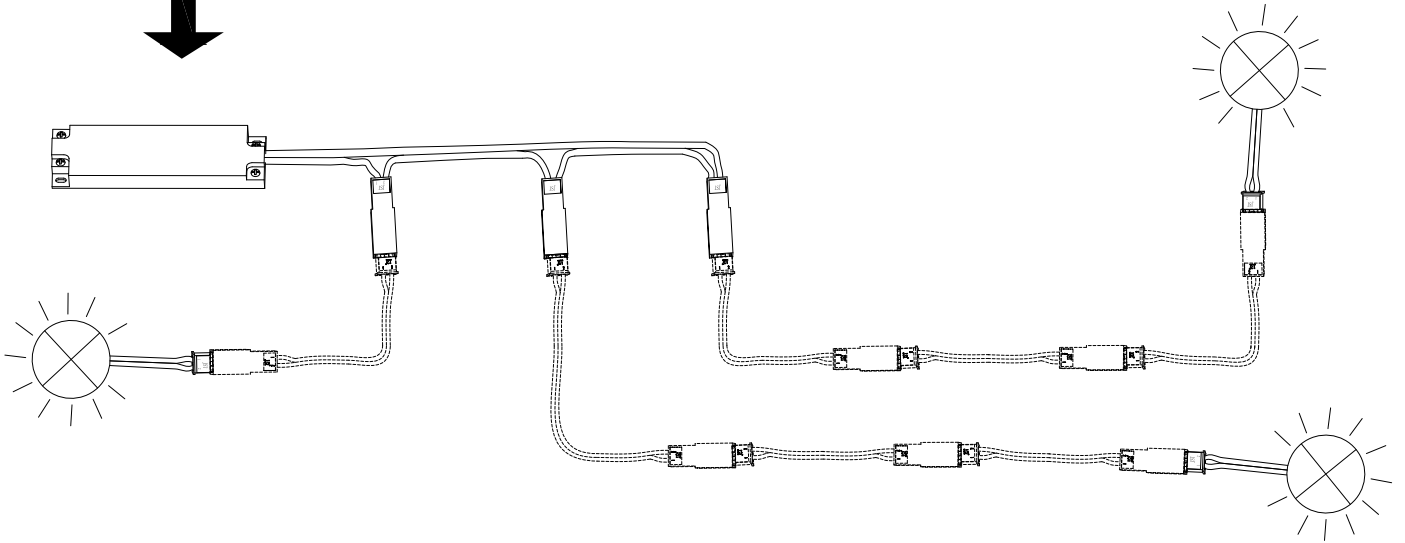
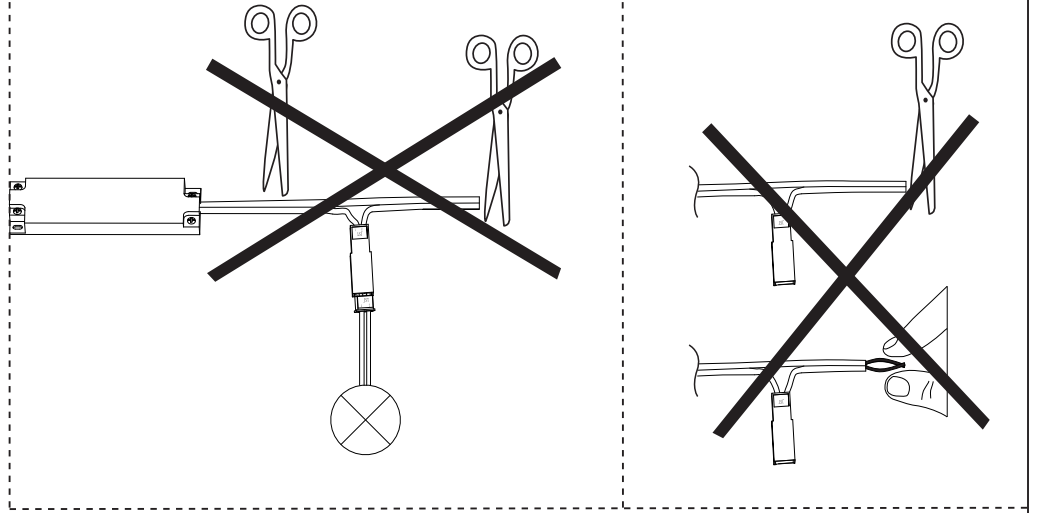
E



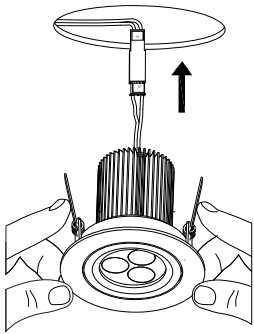
1 m



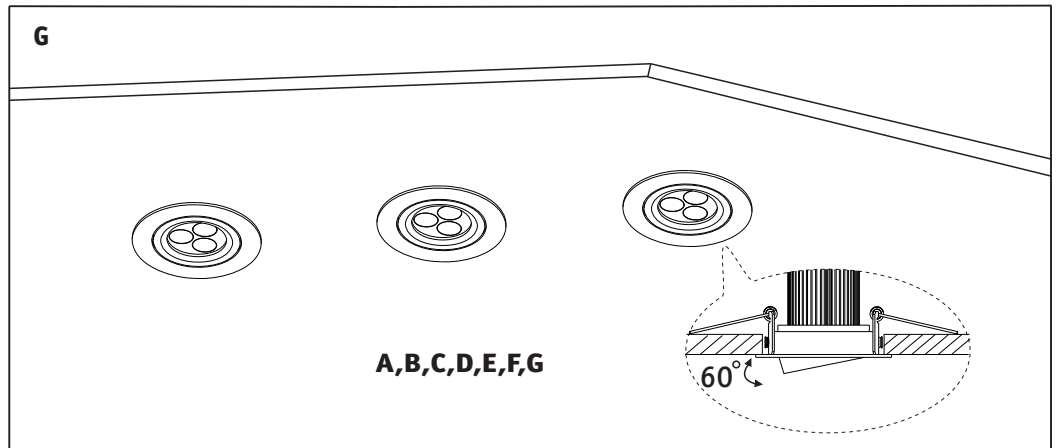
Paulmann
Art.-Nr. 233



F



G



A,B,C,D,E,F,G

60°

